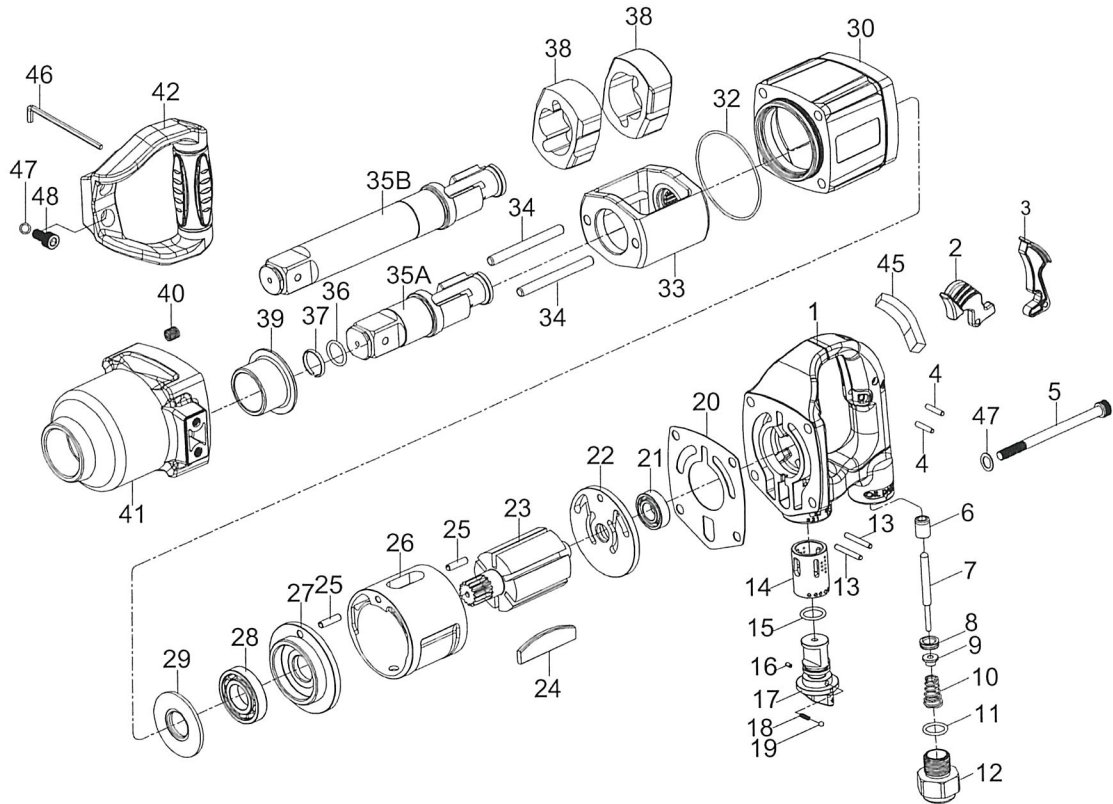


160493.

3/4" SQ. DR. SUPER DUTY IMPACT WRENCH



KI-1635/1635-6

INDEX NO.	DESCRIPTION	REQ'D NO.	FOB		INDEX NO.	DESCRIPTION	REQ'D NO.	FOB	
			(US\$/PC)	(US\$/SET)				(US\$/PC)	(US\$/SET)
★ 1	Backhead Assembly ( incl. 6.14 )	1			25	Spring Pin	2		
2	Inside Trigger ( Option )	1			26	Cylinder	1		
3	Outside Trigger ( Option )	1			27	Front End Plate	1		
4	Pin	2			28	Ball Bearing	1		
5	Screw	4			29	Washer	1		
● 6	Bushing	1			30	Housing	1		
7	Throttle Valve Plunger	1			32	O-Ring	1		
8	Throttle Valve Seat	1			33	Hammer Frame	1		
9	Throttle Valve	1			34	Hammer Pin	2		
10	Spring	1			35A	Standard Anvil ( for KI-1635 )	1		
11	O-Ring	1			35B	6" Extended Anvil ( for KI-1635-6 )	1		
12	Air Inlet	1			36	O-Ring	1		
13	Spring Pin	2			37	Socket Retainer	1		
● 14	Reverse Valve Bushing	1			38	Hammer	2		
15	O-Ring	1			● 39	Bushing	1		
16	Spring Pin	1			● 40	Heli-Coil	4		
17	Reverse Valve	1			★ 41	Hammer Case Assembly ( incl. 39.40 )	1		
18	Spring	1			42	Side Spade Handle	1		
19	Steel Ball	1			45	Rubber Cap ( for Inside Trigger )	1		
20	Gasket	1			46	Hex Key Wrench	1		
21	Ball Bearing	1			47	Washer	6		
22	Rear End Plate	1			48	Screw	2		
23	Rotor	1							
24	Rotor Blade	6			TK	Tune-Up Kit { incl. 10.11.15.18.19.20.21.24 ( 6 ) .28.32.36.37 }			

★ Must be Purchased in Assembly Set

● Recommended not to be purchased alone due to assembly difficulty